

UD Series Solenoid Valve (Small Aperture) Brass Body, Two Way Normally Closed



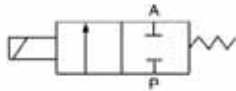
UD-06



UD-08



UD-10



UD - 08 F AC220V D

Specification Code

UD : Two position two way solenoid valve (direct drive type)

UDH : Two position two way solenoid valve (high pressure direct drive type)

Joint Pipe Bore

06 : 1/8"

08 : 1/4"

10 : 3/8"

Initial Estate

Blank : Pipe joint type

F : Flange type

Standard Voltage

DC12V

DC24V

AC24V 50/60Hz

AC110V 50/60Hz

AC220V 50/60Hz

Wiring Form

Blank : Lead wire type

D : Join connector

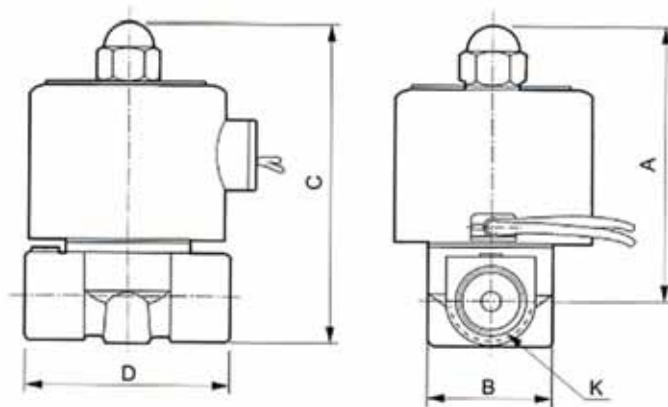
E : Blast-proof coil

G : Water-proof coil

UD Series Solenoid Valve (Small Aperture) Brass Body, Two Way Normally Closed

Specification			
Model	UD-06	UD-08	UD-10
Working Medium	Air, Water, Oil, Gas		
Motion Pattern	Direct Drive Type		
Type	Normal Close Type		
Aperture of Flow Rate (mm)	2.5		4
CV Value	0.23		0.60
Joint Pipe Bore	1/8"	1/4"	3/8"
Operation Fluid Viscosity	20 CST (below)		
Working Pressure (kgf/cm ²)	0 ~ 7		
Max. Pressure Resistance (kgf/cm ²)	10		
Operating Temperature Range (°C)	-50 ~ 80		
Voltage Range	± 10%		
Material of Body	Brass		
Material of Oil Seal	NBR, EPDM VITON		

Overall Dimension



Model	A	B	C	D	K(PT)
UD-06	66	30.3	75	41.5	1/8"
UD-08	66	30.6	75	41.5	1/4"
UD-10	74	32.2	85.5	53	3/8"